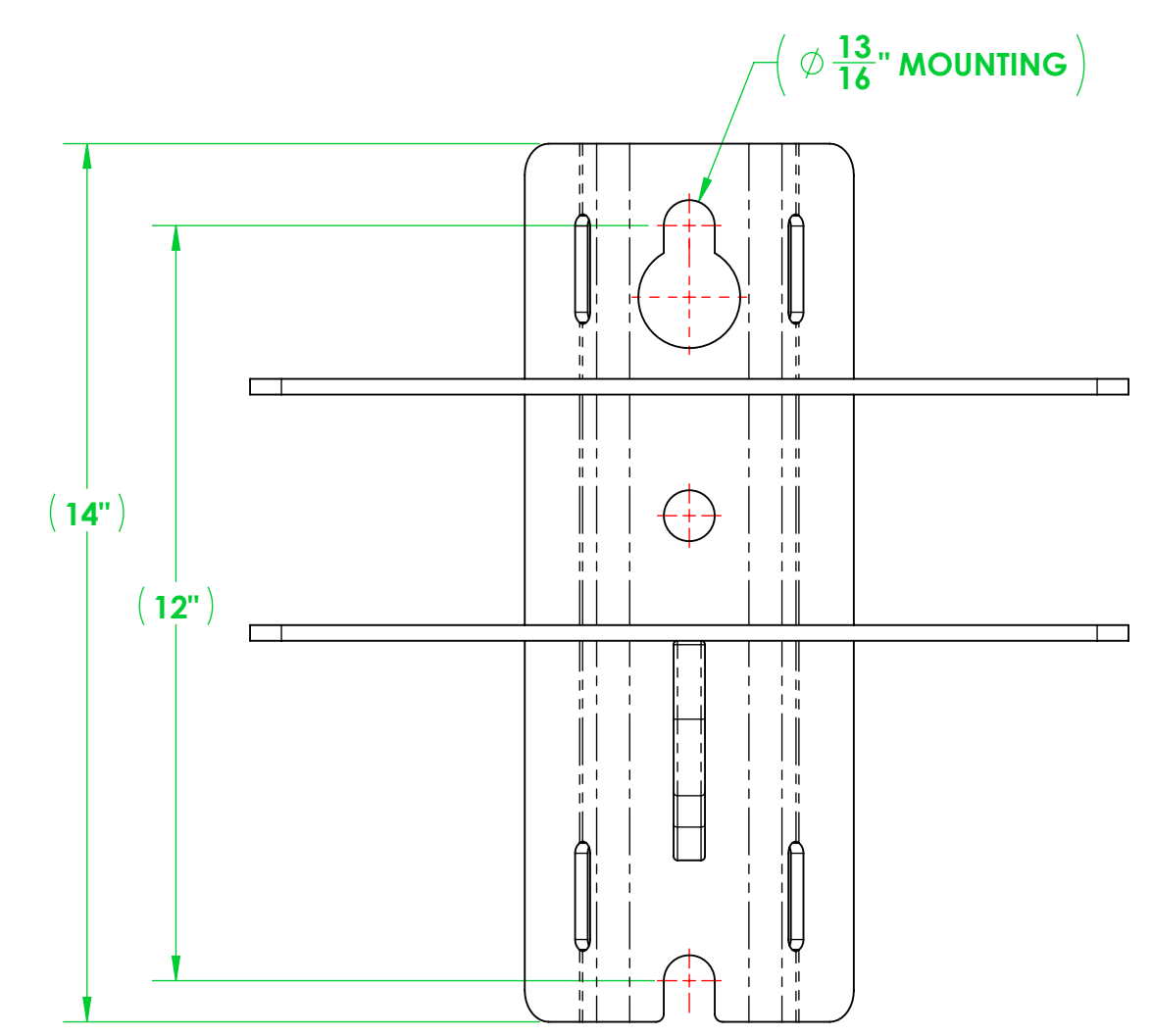
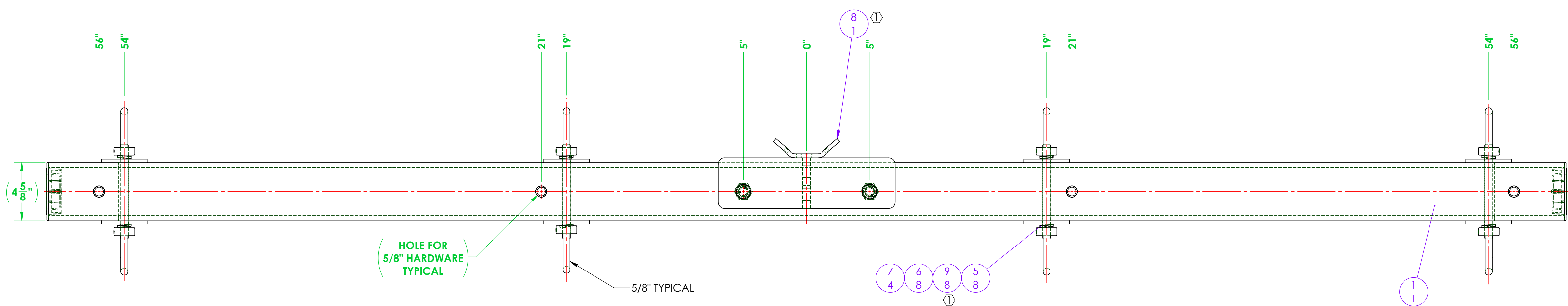
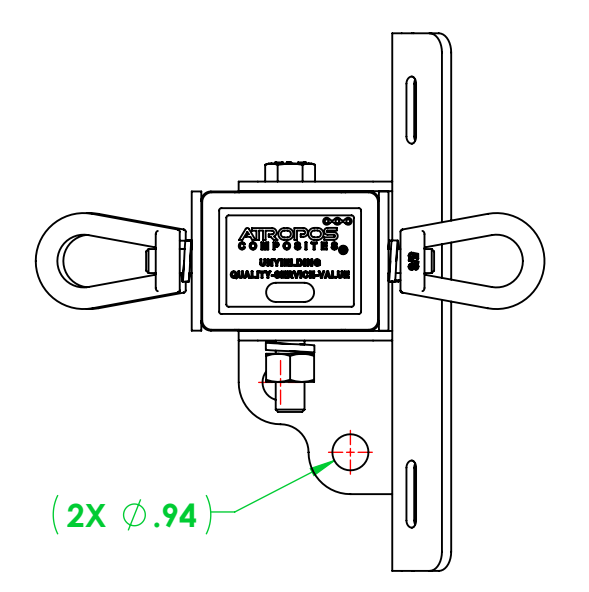
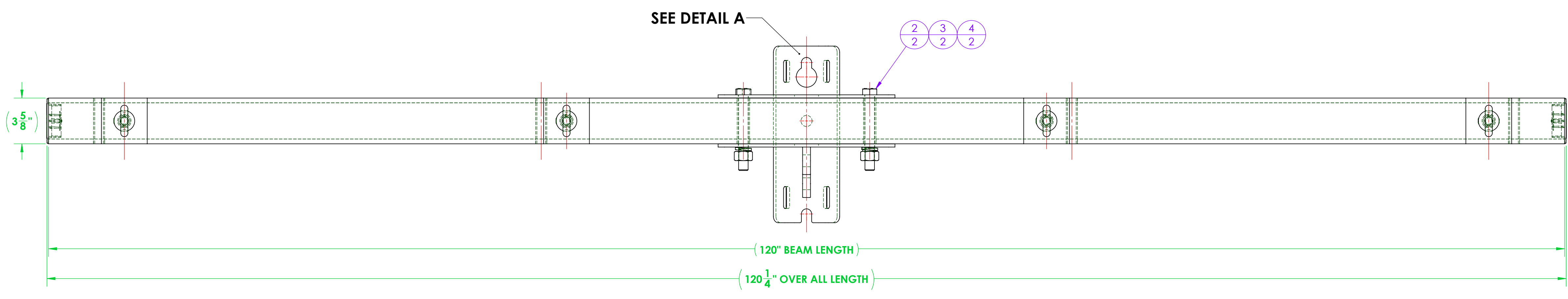


REVISIONS			
REV.	DESCRIPTION	DATE	APPROVED
1	MOUNTING BRACKET WAS FABRICATED NOW PURCHASED. PLATE WASHERS WERE FABRICATED NOW PURCHASED.	4/17/2026	F. BRYANT



DETAIL A



ITEM NO.	PART NUMBER	DESCRIPTION	QTY.
1	3403A120-D312-4911 CA	ASSEMBLY, 3403 DEADEND CROSSARM, 10'	1
2	A616-0020-02	BOLT, HEX, 3/4"-10 X 6.00" LONG, HOT DIPPED GALVANIZED STEEL, 1-1/8" DRIVE	2
3	A616-0042-01	LOCK WASHER, FOR 3/4" SCREW, 0.766" ID, 1.265" OD, 0.188" THICK, HOT-DIPPED GALVANIZED STEEL	2
4	A616-0019-02	EXTREME STRENGTH NUT, HEX, 3/4"-10, 2H, HOT-DIPPED GALVANIZED	2
5	A616-0042-02	LOCK WASHER, FOR 5/8" SCREW, 0.641" ID, 1.073" OD, 0.156" THICK, HOT-DIPPED GALVANIZED STEEL	8
6	A616-0017-02	EYENUT, 5/8"-11, GALVANIZED STEEL	8
7	A711-0044	ALL-THREAD, 5/8"-11 X 7.50" LONG, GALV. STEEL	4
① 8	A700-0044	CROSSARM MOUNTING BRACKET, DEADEND, 3400 SERIES	1
① 9	A700-0049	WASHER, SQUARE, 3.625" X 3.625" X 0.25 THICK WITH 0.66 THRU HOLE	8

GENERAL NOTES	UNLESS OTHERWISE SPECIFIED	NAME	DATE									
	DIMENSIONS ARE IN INCHES	DRAWN: F. BRYANT	10/16/2025									
FRACATIONAL: ±1/32	CHECKED:											
	ENG APPR:											
ANGULAR:	MFG APPR:											
MACHINED: +0.5" BEND: ±2"	Q.A.											
TWO PLACE DECIMAL: ±0.03												
THREE PLACE DECIMAL: ±0.005												
INTERFERE GEOMETRIC												
TOLERANCING PER: ANSI Y14.5												
MATERIAL	PROPRIETARY AND CONFIDENTIAL											
FINISH	THE INFORMATION CONTAINED IN THIS DRAWING IS THE SOLE PROPERTY OF VETLUS. ANY REPRODUCTION IN PART OR AS A WHOLE WITHOUT THE WRITTEN PERMISSION OF VETLUS IS PROHIBITED.											
DO NOT SCALE DRAWING	<table border="1"> <tr> <td>SIZE</td> <td>DWG. NO.</td> <td>REV</td> </tr> <tr> <td>SCALE: 1:8</td> <td><b>D3403A120-D312-4911</b></td> <td>1</td> </tr> <tr> <td>WEIGHT: 104.66</td> <td></td> <td>SHEET 1 OF 1</td> </tr> </table>			SIZE	DWG. NO.	REV	SCALE: 1:8	<b>D3403A120-D312-4911</b>	1	WEIGHT: 104.66		SHEET 1 OF 1
SIZE	DWG. NO.	REV										
SCALE: 1:8	<b>D3403A120-D312-4911</b>	1										
WEIGHT: 104.66		SHEET 1 OF 1										



TITLE: ASSEMBLY, DEADEND, 3403, (4) WIRE, 10 FT.